

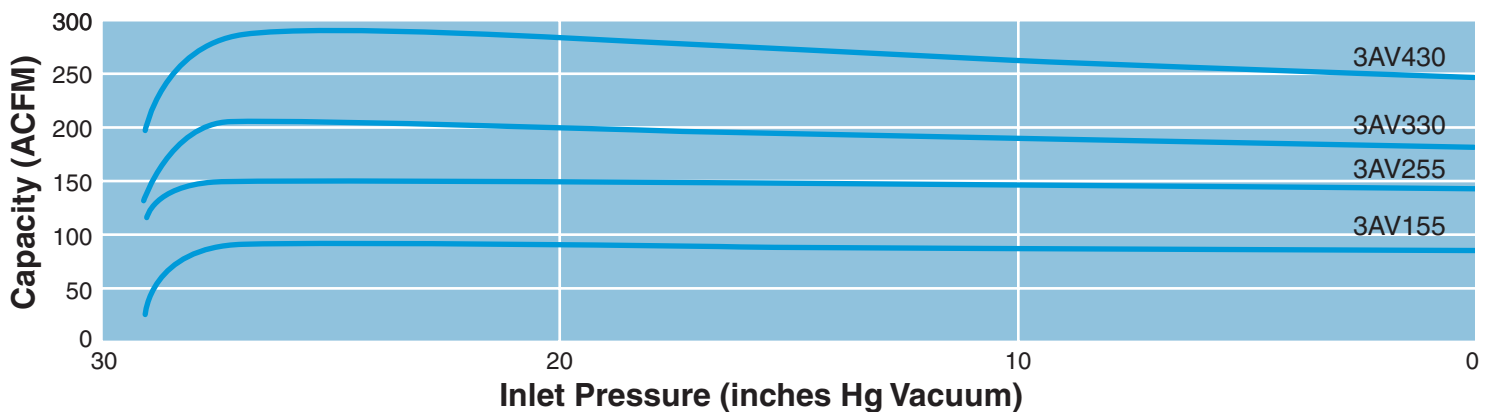
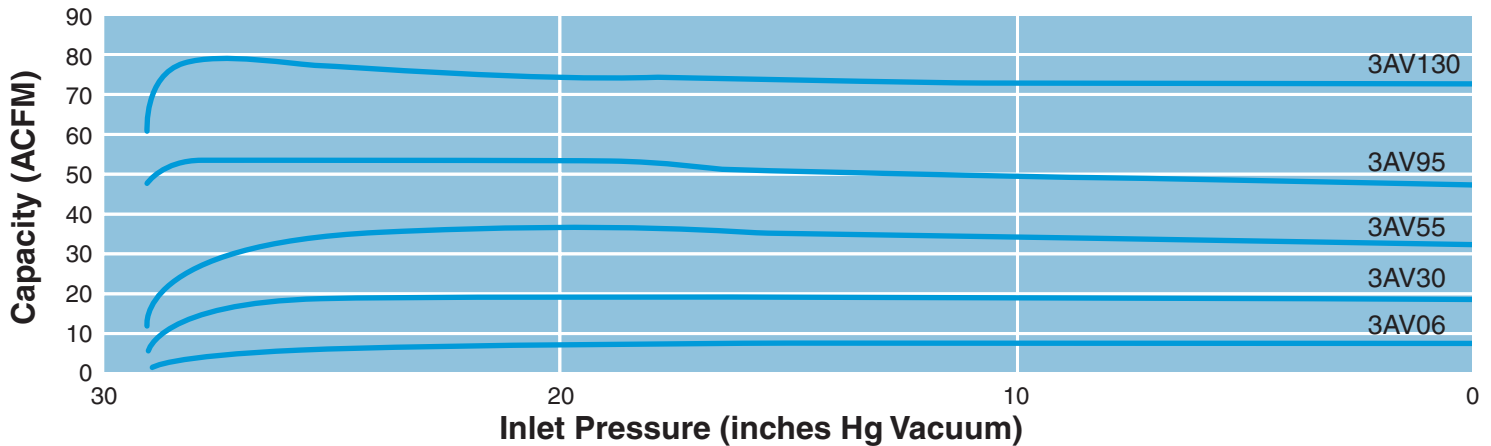


The Airtech 3AV Series closed-coupled Liquid Ring Vacuum Pumps are ideal for various applications that require continuous & quiet operation, a compact design and reduced power consumption.

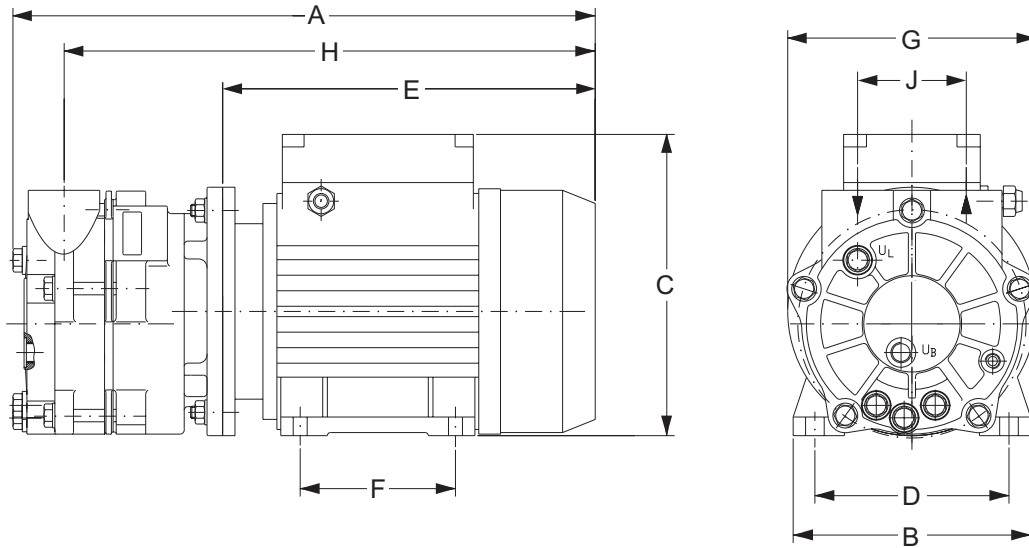
The single stage, variable discharge port design provides efficient operation from 1 through 262 cfm for vacuum levels up to 29"Hg. The impeller's unique design of slower spinning curved blades reduces tip speed enhancing the life expectancy of the pump.

- More compact than conventional liquid ring pumps
- No belts, no couplings - alleviating problems with wear, alignment and belts
- Standard pumps have cast iron housing, bronze impeller & PTFE flap valve
- Stainless Steel impeller available
- Designed for heavy duty applications
- Manufactured to ISO 9001 standards
- Single face mechanical seal arrangement is standard

### 3AV CAPACITY



### Dimensions: (inches)



Model	A	B	C	D	E	F	G	H	J	inlet/ outlet
3AV 1	8.5	4.2	4.7	3.5	5.8	2.4	4.0	--	1.3	1/4
3AV 6	10	4.7	5.5	3.9	--	3.2	5	9.5	1.3	3/8
3AV 30	14.7	6	7.6	4.9	9.4	3.9	6.3	13.5	2.8	1
3AV 55	16.1	6.7	8.2	5.5	10	3.9	7.0	14.8	2.8	1
3AV 95	18.6	8.7	10	6.3	11.9	12.4	5.5	17	7.1	1.5
3AV 130	18.9	8.7	10	6.3	11.9	12.4	5.5	17.4	7.1	1.5
3AV 155	20.7	8.7	11.3	7.5	13	12.4	5.5	19.1	7.1	1.5
3AV 255	25.9	10	12.6	8.3	16.7	7	12.4	23.8	7.1	2
3AV 330	31.6	12.6	16.1	10	18.3	13.9	13.3	28.9	7.9	2.5
3AV 430	32.7	12.6	16.1	10	20.3	10	13.3	29.1	9.4	2.5

### Performance Data - Vacuum (60 Hz)

Model	Rated H.P.	CFM	RPM	Voltage Range	Max Amps	Seal Water (GPM)	Sound Level dB(A)	Weight (lbs.)
3AV 1	.2	1	3450	208-230/460	0.85/0.5	.4	68	12
3AV 6	.67	6.7	3450	208-230/460	2.4/1.4	.8	68	21
3AV 30	1.5	18	3450	208-230/460	4.9/2.8	1.0	68	44
3AV 55	3.0	33	3450	208-230/460	8.8/4.4	1.5	69	55
3AV 95	4.0	48	1750	208-230/460	12.9/5.4	4.0	65	130
3AV 130	5.0	72	1750	208-230/460	18/6.6	4.5	65	148
3AV 155	7.5	86	1750	208-230/460	25.5/11.5	5.0	65	183
3AV 255	10	144	1750	208-230/460	30/14.5	6.2	65	245
3AV 330	15	187	1750	208-230/460	49/28	7.2	72	359
3AV 430	20	282	1750	208-230/460	68/35	8.5	72	392